
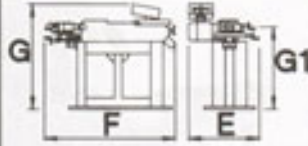


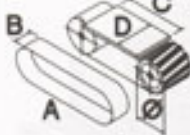

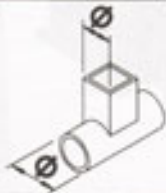





TNS 145 Heavy Duty Tube Notcher

Tube notching machine ideal for round and square mild steel tubes up to 145mm. Abrasive belt of 150 x 2000mm runs at a speed of 2800 rpm for mild steel and at 1400 rpm for stainless steel. Machine is supplied standard with three contact rollers of 19.05 mm, 31.8mm and 76.2mm.



~~\$11,800~~
Reduced to:
\$7,995*

															
Volt 400 kW 5.2			kg		STANDARD										
hp	Rpm	m/s	E	F	G	G1	dB	kg	A	B	C	D	Ø	Ø "	R
7	1400 2800	15 30	800	1600	1250	1000	75	280	2000	150	400	160	200	Ø¼" - Ø1" ¼ - 3"	160
															
Ø mm	Max Ø mm x β°			Ø mm			OPTIONAL ASP.01								
Min 20 + 145 Max	70x30° 102x45° 125x60°			20 + 145			kW 1.5								

*1 ONLY PRICE EXCLUDES GST & FREIGHT